

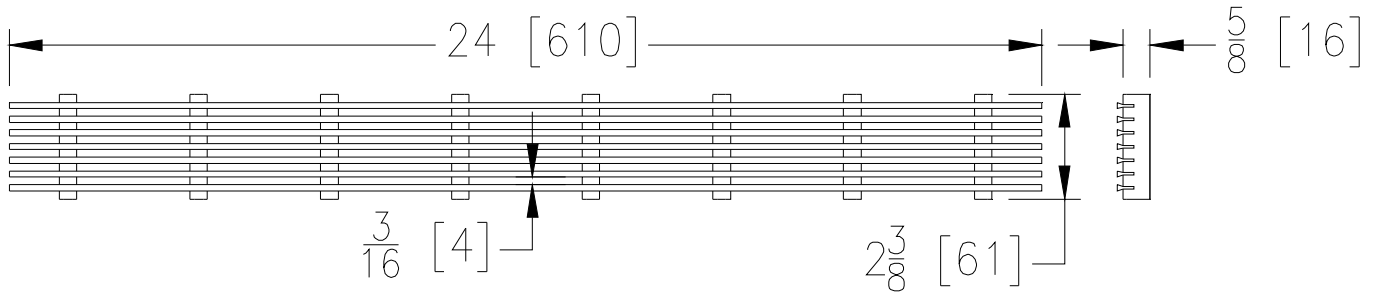


P880-AWG
2-3/8 [61] Wide Aluminum Wire Grate

Dimensional Data (inches and [mm]) are Subject to Manufacturing Tolerances and Change Without Notice

[Back to Index](#)

Please Check ✓	Item No.	Part Number	Item I.D.
	1	94320-001	P880-AWG



AWG GRATE ENGINEERING SPECIFICATION: The Zurn P880-AWG

Aluminum Wire Grate, is 2-3/8 inches wide x 24" long, weighing .60 lbs per linear foot. The grate has an open area of 15.00 square inches per linear foot, DIN Rating of Class A, ANSI Rating of Light-Duty and is ADA Compliant.

AWG - Aluminum Wire Grate	
Material:	Aluminum
DIN Rating:	Class A
Weight:	.60 lbs/ft.
Open Area:	15.00 in ² /ft.
ANSI Rating:	Light-Duty
Application:	Heel-Proof
Slot Width/Hole Size:	3/16"
ADA:	Yes
H-20:	No
FAA:	No

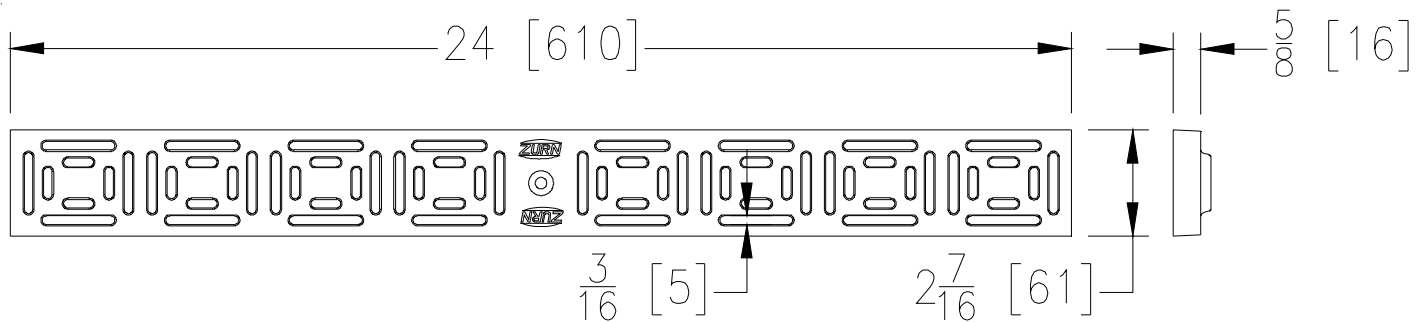


P880-BZ
2-7/16 [61] Wide Bronze Decorative Grate

Dimensional Data (inches and [mm]) are Subject to Manufacturing Tolerances and Change Without Notice

[Back to Index](#)

Please Check ✓	Item No.	Part Number	Item I.D.
	2	64446-001	P880-BZ



BZ GRATE ENGINEERING SPECIFICATION: The Zurn P880-BZ

Bronze Decorative Grate, is 2-7/16 inches wide by 24" inches long, weighing 3.0 lbs per linear foot. The grate has an open area of 6.14 square inches per linear foot, DIN Rating of Class A, ANSI Rating of Light-Duty and is ADA Compliant.

BZ - Bronze Decorative Grate	
Material:	Bronze
DIN Rating:	Class A
Weight:	3.0 lbs/ft.
Open Area:	6.14 in ² /ft.
ANSI Rating:	Light-Duty
Application:	Decorative Heel-Proof
Slot Width/Hole Size:	3/16"
ADA:	Yes
H-20:	No
FAA:	No



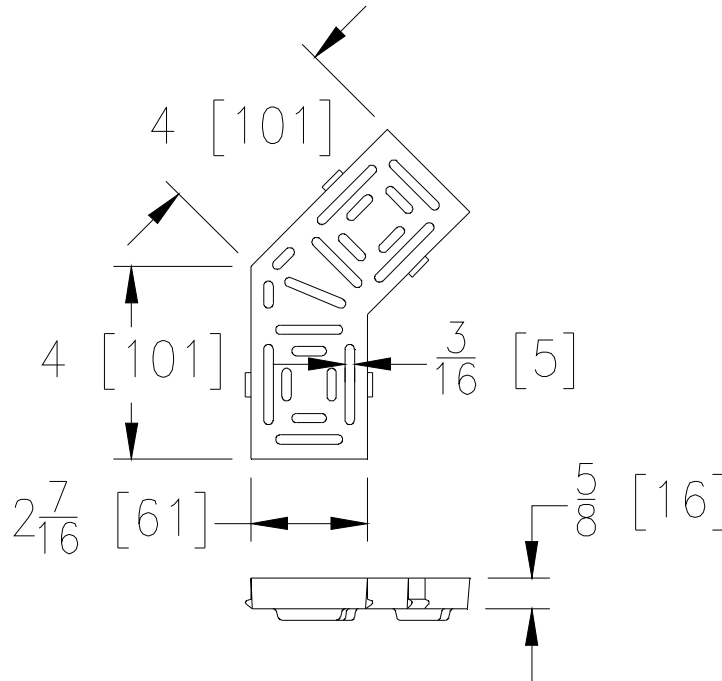
P880-G45

2-7/16 [61] Wide 45-Degree Plastic Grate

Dimensional Data (inches and [mm]) are Subject to Manufacturing Tolerances and Change Without Notice

[Back to Index](#)

Please Check ✓	Item No.	Part Number	Item I.D.	Color
	3	64430-001	P880-G45	Grey
	3	64430-004	P880-G45-1685-C	Brick Red
	3	64430-005	P880-G45-284-U	Blue
	3	64430-002	P880-G45-466-U	Sand
	3	64430-003	P880-G45-White	White



G45 GRATE ENGINEERING SPECIFICATION: The Zurn P880-G45 45-Degree Plastic Grate, is 2-7/16 inches wide, weighing .30 lbs per linear foot. The grate has an open area of 5.28 square inches per linear foot, DIN Rating of Class A, ANSI Rating of Light-Duty and is ADA Compliant.

G45 - 45-Degree Plastic Grate	
Material:	Plastic
DIN Rating:	Class A
Weight:	.30 lbs/ft.
Open Area:	5.28 in ² /ft.
ANSI Rating:	Light-Duty
Application:	Decorative Heel-Proof
Slot Width/Hole Size:	3/16"
ADA:	Yes
H-20:	No
FAA:	No

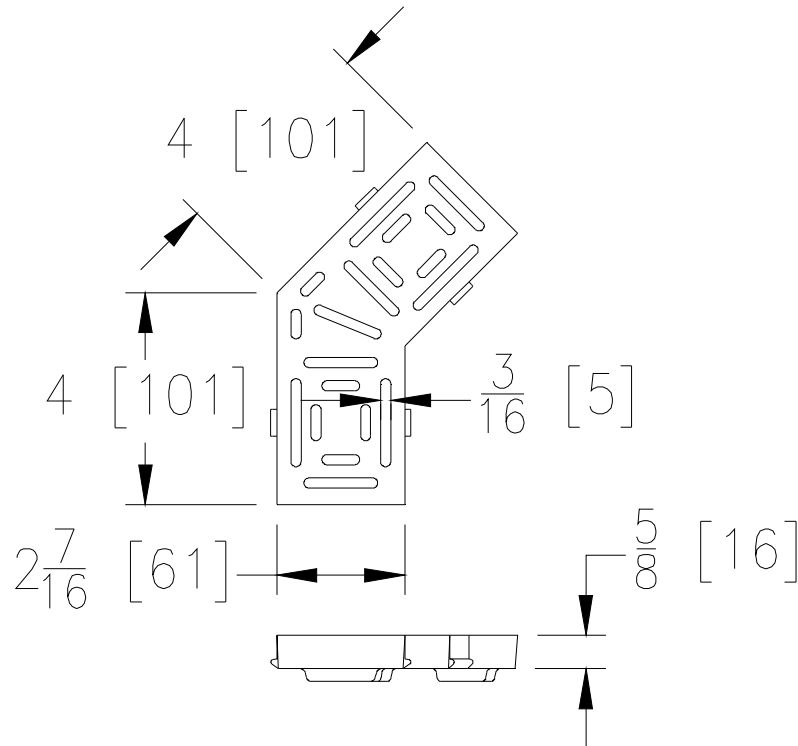


P880-G45-BZ
2-7/16 [61] Wide 45-Degree Bronze Grate

Dimensional Data (inches and [mm]) are Subject to Manufacturing Tolerances and Change Without Notice

[Back to Index](#)

Please Check ✓	Item No.	Part Number	Item I.D.
	4	94054-001	P880-G45-BZ



G45-BZ GRATE ENGINEERING SPECIFICATION: The Zurn P880-G45-BZ 45-Degree Bronze Grate, is 2-7/16 inches wide, weighing .50 lbs per linear foot. The grate has an open area of 5.28 square inches per linear foot, DIN Rating of Class A, ANSI Rating of Light-Duty and is ADA Compliant.

G45-BZ - 45-Degree Bronze Grate	
Material:	Bronze
DIN Rating:	Class A
Weight:	.50 lbs/ft.
Open Area:	5.28 in ² /ft.
ANSI Rating:	Light-Duty
Application:	Decorative Heel-Proof
Slot Width/Hole Size:	3/16"
ADA:	Yes
H-20:	No
FAA:	No

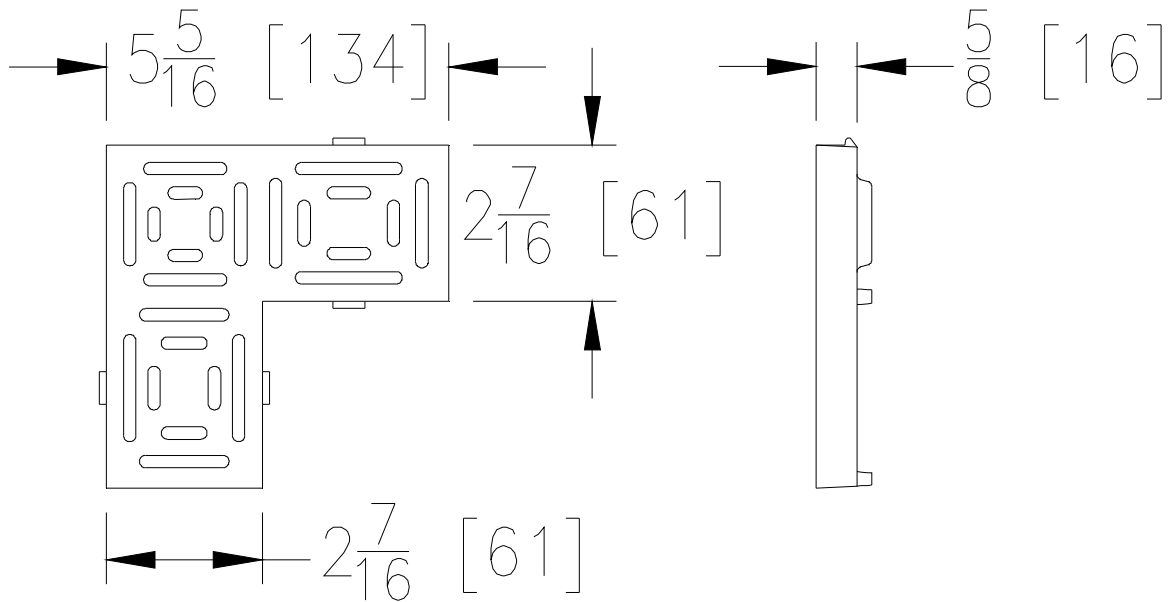


P880-G90
2-7/16 [61] Wide 90-Degree Plastic Grate

Dimensional Data (inches and [mm]) are Subject to Manufacturing Tolerances and Change Without Notice

[Back to Index](#)

Please Check ✓	Item No.	Part Number	Item I.D.	Color
	5	64433-001	P880-G90	Grey
	5	64433-004	P880-G90-1685-C	Brick Red
	5	64433-005	P880-G90-284-U	Blue
	5	64433-002	P880-G90-466-U	Sand
	5	64433-003	P880-G90-White	White



G90 GRATE ENGINEERING SPECIFICATION: The Zurn P880-G90 90-Degree Plastic Grate, is 2-7/16 inches wide, weighing .60 lbs per linear foot. The grate has an open area of 10.22 square inches per linear foot, DIN Rating of Class A, ANSI Rating of Light-Duty and is ADA Compliant.

G90 - 90-Degree Plastic Grate	
Material:	Plastic
DIN Rating:	Class A
Weight:	.60 lbs/ft.
Open Area:	10.22 in ² /ft.
ANSI Rating:	Light-Duty
Application:	Decorative Heel-Proof
Slot Width/Hole Size:	3/16"
ADA:	Yes
H-20:	No
FAA:	No

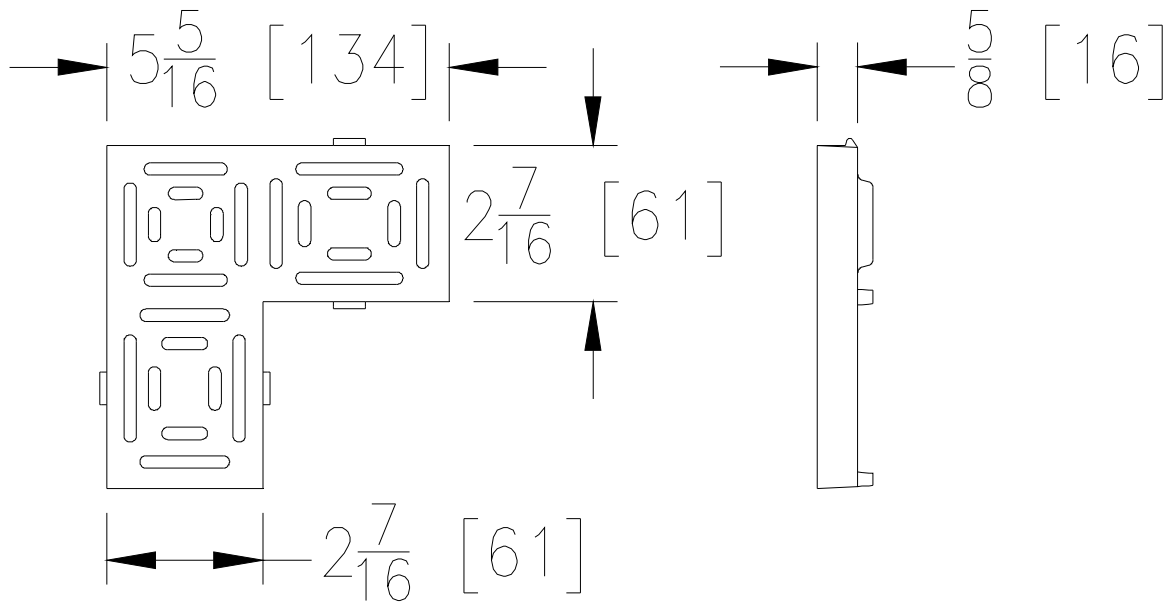


P880-G90-BZ
2-7/16 [61] Wide 90-Degree Bronze Grate

Dimensional Data (inches and [mm]) are Subject to Manufacturing Tolerances and Change Without Notice

[Back to Index](#)

Please Check ✓	Item No.	Part Number	Item I.D.
	6	94055-001	P880-G90-BZ



G90-BZ GRATE ENGINEERING SPECIFICATION: The Zurn P880-G90-BZ 90-Degree Bronze Grate, is 2-7/16 inches wide, weighing .70 lbs per linear foot. The grate has an open area of 10.22 square inches per linear foot, DIN Rating of Class A, ANSI Rating of Light-Duty and is ADA Compliant.

G90-BZ - 90-Degree Bronze Grate	
Material:	Plastic
DIN Rating:	Class A
Weight:	.70 lbs/ft.
Open Area:	10.22 in ² /ft.
ANSI Rating:	Light-Duty
Application:	Decorative Heel-Proof
Slot Width/Hole Size:	3/16"
ADA:	Yes
H-20:	No
FAA:	No



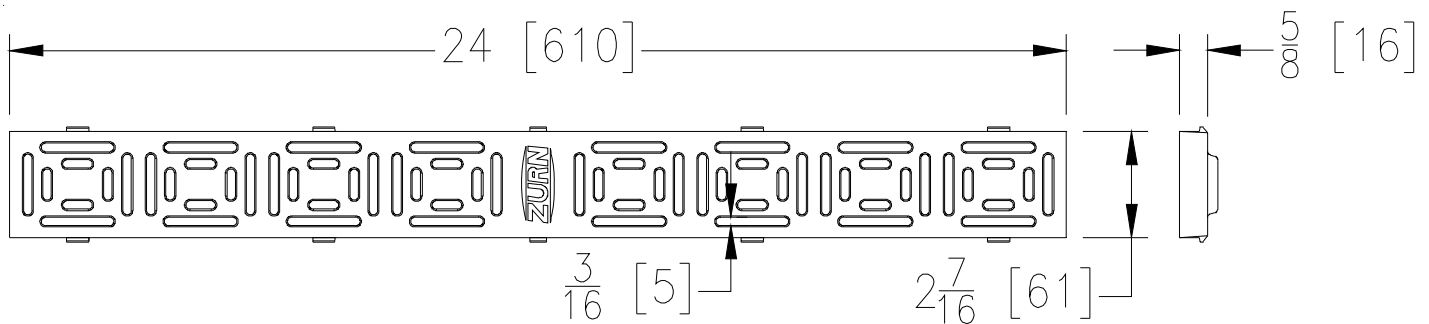
P880-POG

2-7/16 [61] Wide Polyethylene Grate

Dimensional Data (inches and [mm]) are Subject to Manufacturing Tolerances and Change Without Notice

[Back to Index](#)

Please Check ✓	Item No.	Part Number	Item I.D.	Color
	7	64432-001	P880-POG	Grey
	7	64432-004	P880-POG-1685-C	Brick Red
	7	64432-005	P880-POG-284-U	Blue
	7	64432-002	P880-POG-466-U	Sand
	7	64432-003	P880-POG-White	White



POG GRATE ENGINEERING SPECIFICATION: The Zurn P880-POG

Heel-Proof Polyethylene Grate, is 2-7/16 inches wide, weighing .50 lbs per linear foot. The grate has an open area of 6.14 square inches per linear foot, DIN Rating of Class A, ANSI Rating of Light-Duty and is ADA Compliant.

POG - Heel-Proof Polyethylene Grate	
Material:	Polyethylene Plastic
DIN Rating:	Class A
Weight:	.50 lbs/ft.
Open Area:	6.14 in ² /ft.
ANSI Rating:	Light-Duty
Application:	Decorative Heel-Proof
Slot Width/Hole Size:	1/4"
ADA:	Yes
H-20:	No
FAA:	No



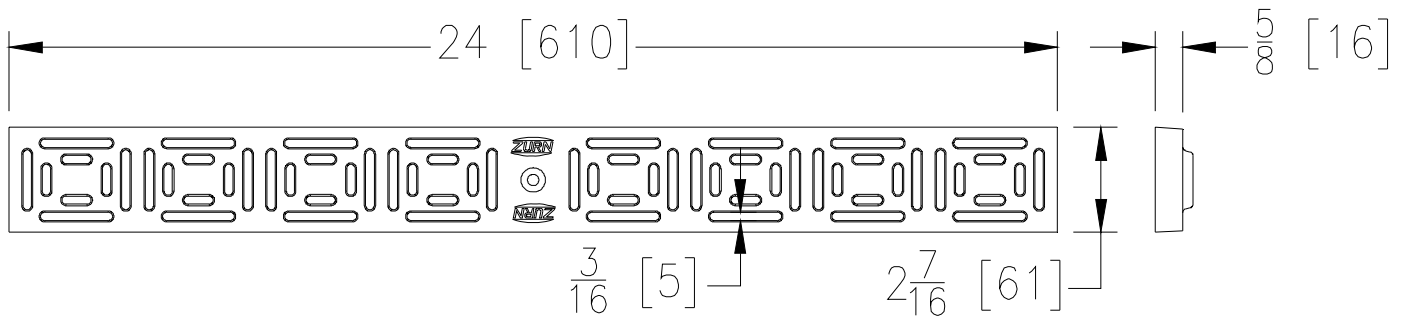
P880-SOG

2-7/16 [61] Wide Stainless Steel Decorative Grate

Dimensional Data (inches and [mm]) are Subject to Manufacturing Tolerances and Change Without Notice

[Back to Index](#)

Please Check ✓	Item No.	Part Number	Item I.D.
✓	8	64446-001	P880-SOG



SOG GRATE ENGINEERING SPECIFICATION: The Zurn P880-SOG Stainless Steel Decorative Grate, is 2-7/16 inches wide, weighing 2.75 lbs per linear foot. The grate has an open area of 6.14 square inches per linear foot, DIN Rating of Class A, ANSI Rating of Light-Duty and is ADA Compliant.

SOG - Stainless Steel Decorative Grate	
Material:	Stainless Steel
DIN Rating:	Class A
Weight:	2.75 lbs/ft.
Open Area:	6.14 in ² /ft.
ANSI Rating:	Light-Duty
Application:	Decorative Heel-Proof
Slot Width/Hole Size:	3/16"
ADA:	Yes
H-20:	No
FAA:	No

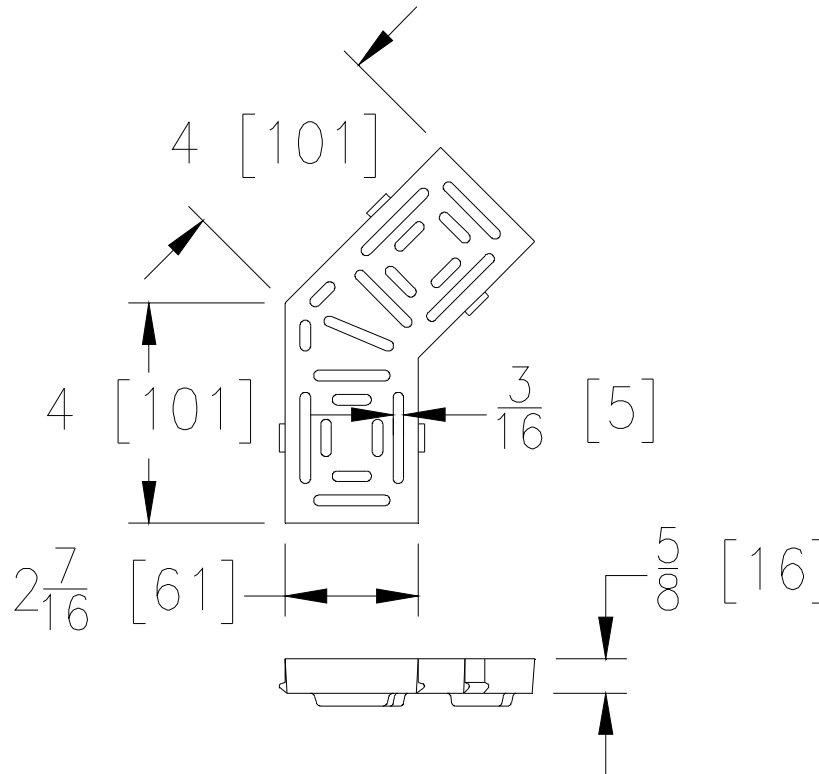


P880-SS45
2-7/16 [61] Wide 45-Degree Stainless Steel Grate

Dimensional Data (inches and [mm]) are Subject to Manufacturing Tolerances and Change Without Notice

[Back to Index](#)

Please Check ✓	Item No.	Part Number	Item I.D.
	9	94054-002	P880-SS45



SS45 GRATE ENGINEERING SPECIFICATION: The Zurn P880-SS45 45-Degree Stainless Steel Grate, is 2-7/16 inches wide, weighing .40 lbs per linear foot. The grate has an open area of 5.25 square inches per linear foot, DIN Rating of Class A, ANSI Rating of Light-Duty and is ADA Compliant.

SS45 - 45-Degree Stainless Steel Grate	
Material:	Stainless Steel
DIN Rating:	Class A
Weight:	.40 lbs/ft.
Open Area:	5.25 in ² /ft.
ANSI Rating:	Light-Duty
Application:	Decorative Heel-Proof
Slot Width/Hole Size:	3/16"
ADA:	Yes
H-20:	No
FAA:	No

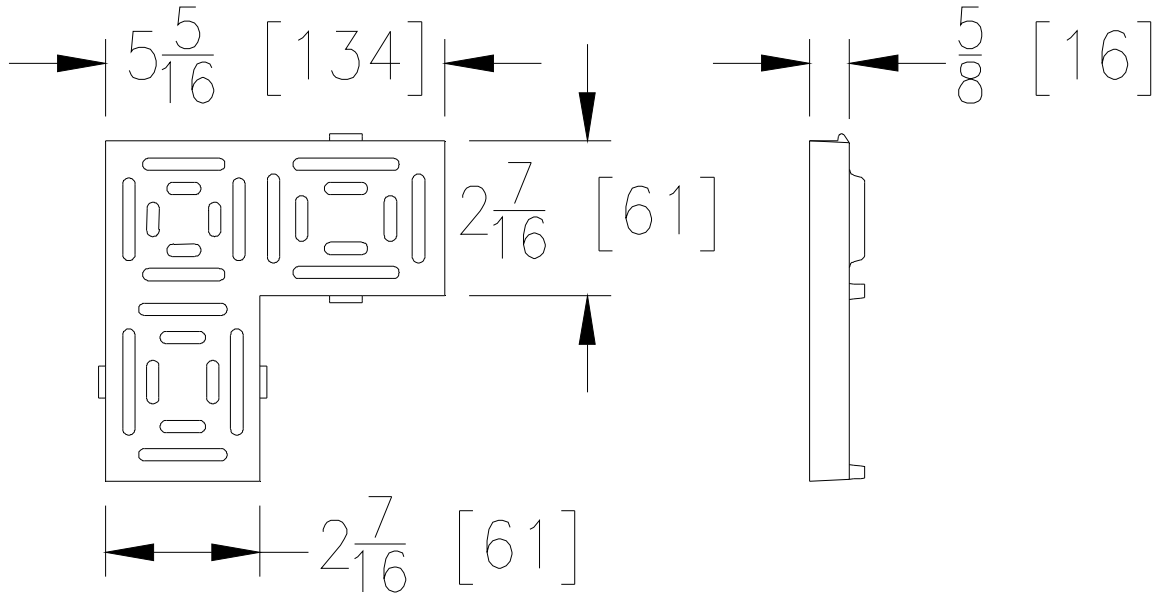


P880-SS90
2-7/16 [61] Wide 90-Degree Stainless Steel Grate

Dimensional Data (inches and [mm]) are Subject to Manufacturing Tolerances and Change Without Notice

[Back to Index](#)

Please Check ✓	Item No.	Part Number	Item I.D.
	10	94055-002	P880-SS90



SS90 GRATE ENGINEERING SPECIFICATION: The Zurn P880-SS90 90-Degree Stainless Steel Grate, is 2-7/16 inches wide, weighing .60 lbs per linear foot. The grate has an open area of 10.22 square inches per linear foot, DIN Rating of Class A, ANSI Rating of Light-Duty and is ADA Compliant.

SS90- 90-Degree Stainless Steel Grate	
Material:	Stainless Steel
DIN Rating:	Class A
Weight:	.60 lbs/ft.
Open Area:	10.22 in ² /ft.
ANSI Rating:	Light-Duty
Application:	Decorative Heel-Proof
Slot Width/Hole Size:	3/16"
ADA:	Yes
H-20:	No
FAA:	No

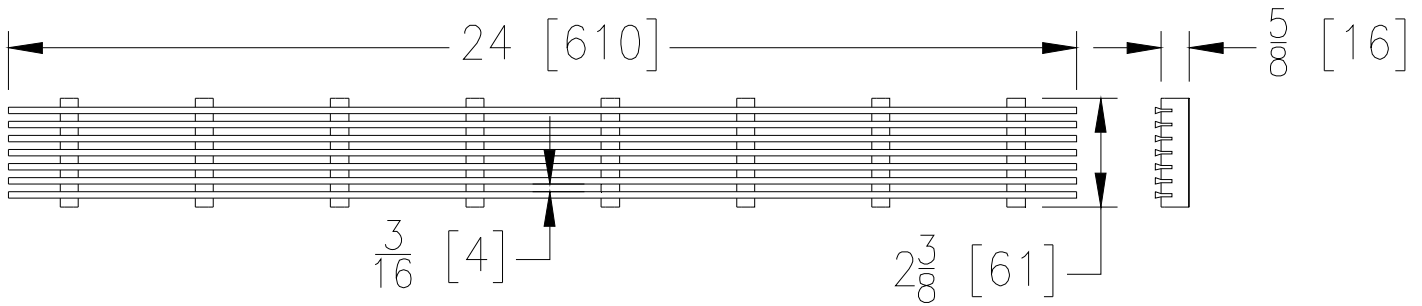


P880-SWG
2-3/8 [61] STAINLESS STEEL WIRE GRATE

Dimensional Data (inches and [mm]) are Subject to Manufacturing Tolerances and Change Without Notice

[Back to Index](#)

Please Check ✓	Item No.	Part Number	Item I.D.
	11	94320-001	P880-SWG



SWG GRATE ENGINEERING SPECIFICATION: The Zurn P880-SWG Stainless Steel Wire Grate, is 2-3/8 inches wide, weighing 1.30 lbs per linear foot. The grate has an open area of 15.00 square inches per linear foot, DIN Rating of Class A, ANSI Rating of Light-Duty and is ADA Compliant.

-SWG Degree Stainless Steel Grate	
Material:	Stainless Steel
DIN Rating:	Class A
Weight:	1.30 lbs/ft.
Open Area:	15.00 in ² /ft.
ANSI Rating:	Light-Duty
Application:	Decorative Heel-Proof
Slot Width/Hole Size:	3/16"
ADA:	Yes
H-20:	No
FAA:	No